

SL200



SL300

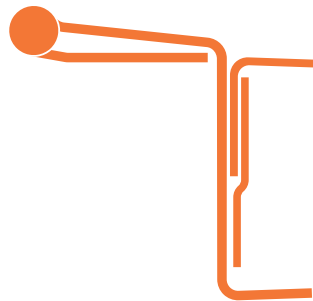


SL305

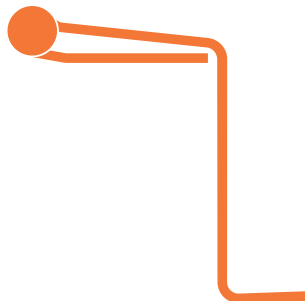


Concealed

SL310

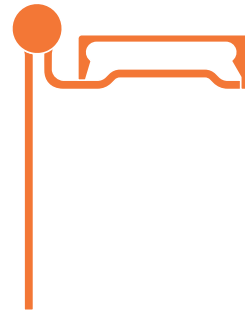


SL311



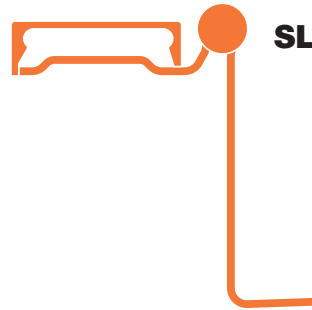
Swing Clear

SL303



Half Surface

SL306



Half Mortise

SL302



SL309



Full Surface

SL402



Toilet Partition

SL308



Edge Guard

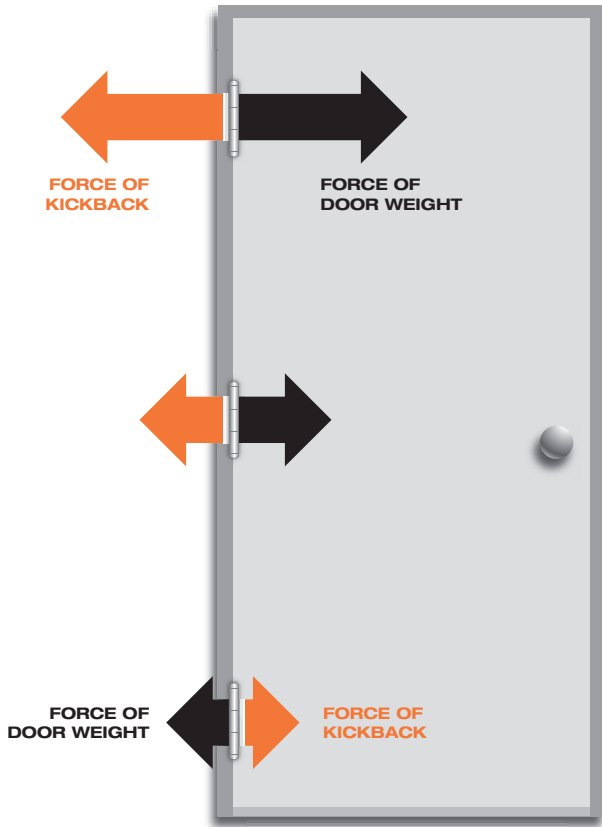
COMPETITIVE COMPARISON OF CONTINUOUS HINGE PRODUCT LINES
PIN & BARREL Continuous Hinges

SELECT	Markar	Hager	McKinney	Stanley	ABH	IVES
SL300	FM-300	790-900	MCK FM300	651	A500	700
SL302	FS-302		MCK FS302	657	A502	702
SL303	HS-303	790-903			A503	
SL305	HG-305	790-905	MCK HG305	652	A505	705
SL306	HG-306	790-906	MCK HG306	655	A506	
SL308	EG-308		EG341		A538	
SL309	FS/SC-309	790-909				
SL310	HG-310					
SL311	HG-311		MCK HG311	656	A511	711
SL402	FS-402-TP					
SL200	FM-200		FM3700	641		600

Concealed Pin & Barrel Continuous Hinges

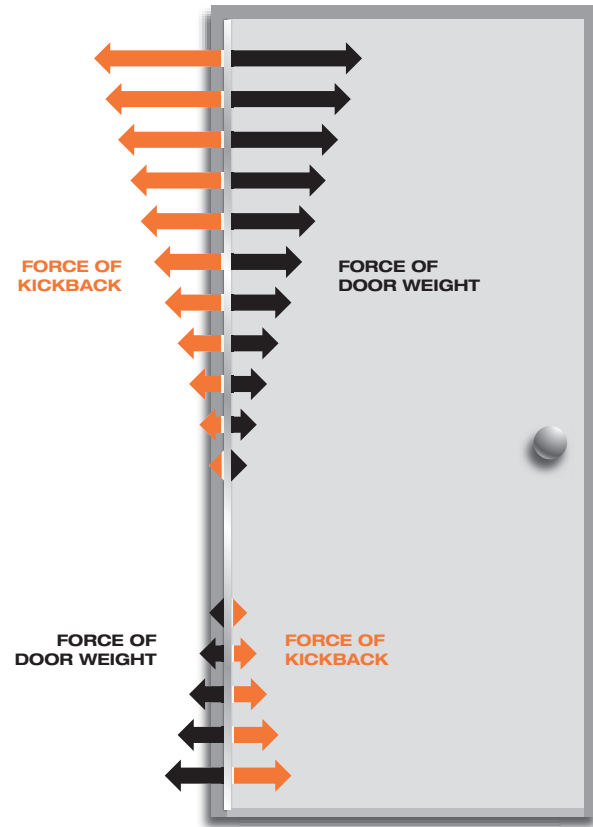


Concealed



Conventional butt hinges

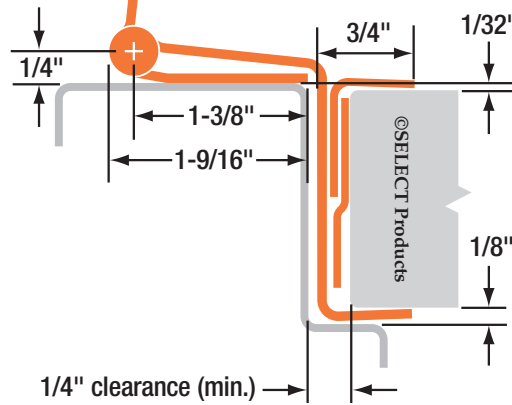
On conventional hinges, opening and “kickback” energy from closers and automatic operators concentrates on the top butt hinge. This force works against the top hinge, eventually forcing it apart or pulling it from the frame/door.



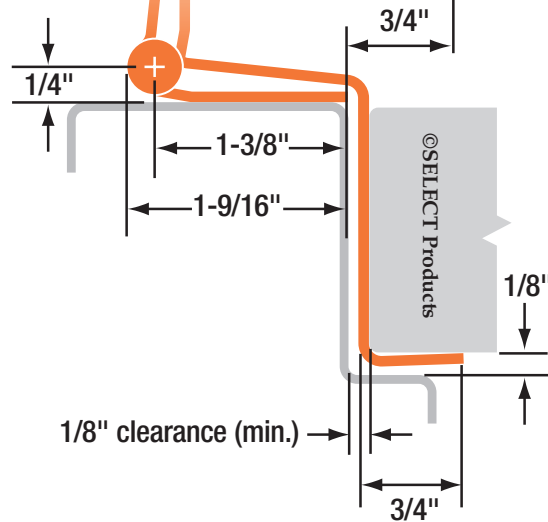
Continuous hinges

SELECT continuous hinges unite the door and frame into an integrated, sag-free unit. “Kickback” energy dissipates along the entire length of the door and frame and prevents hinge failure.

SL310



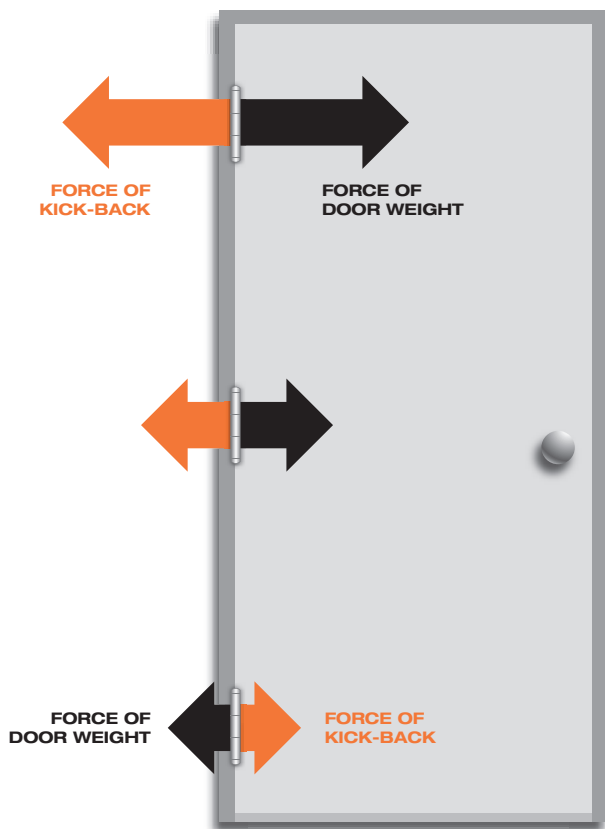
SL311



Swing Clear Pin & Barrel Continuous Hinges

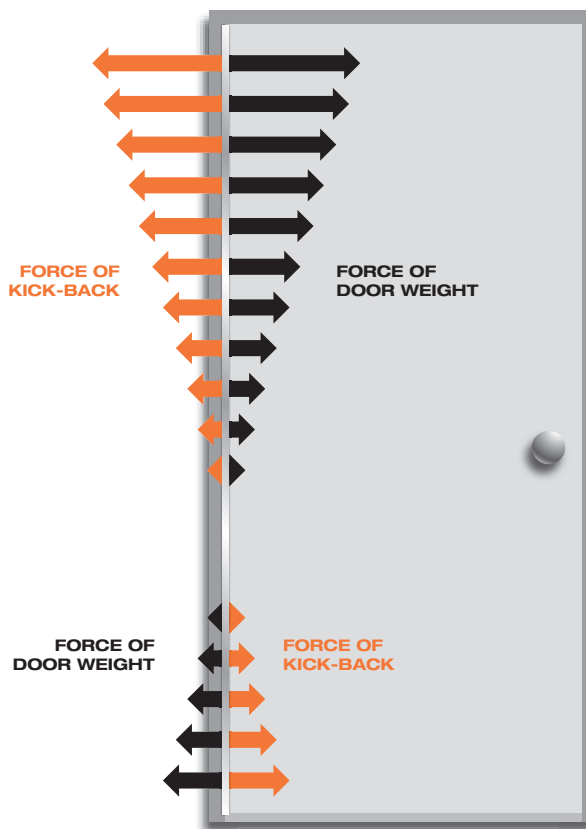


Swing Clear



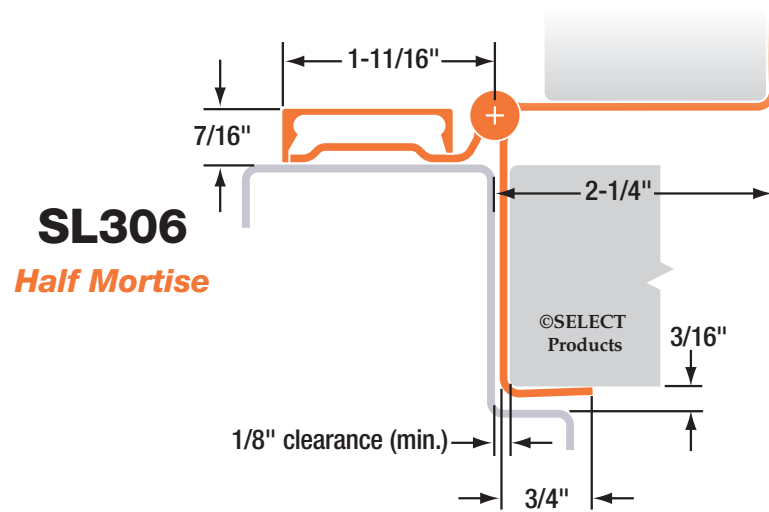
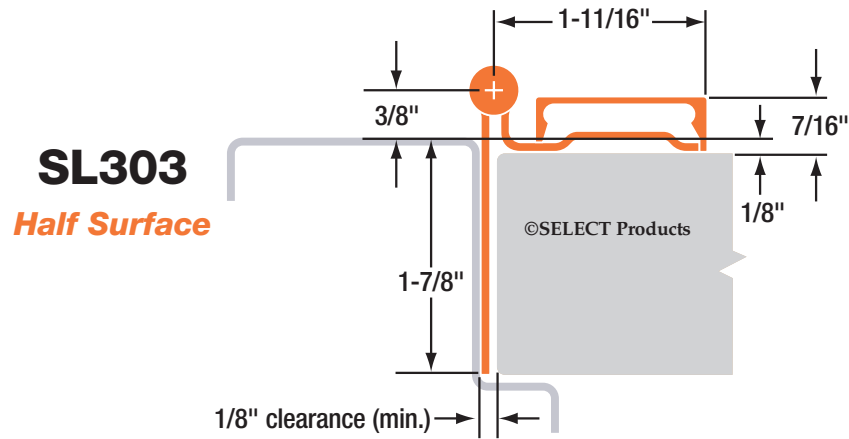
Conventional butt hinges

On conventional hinges, opening and “kickback” energy from closers and automatic operators concentrates on the top butt hinge. This force works against the top hinge, eventually forcing it apart or pulling it from the frame/door.

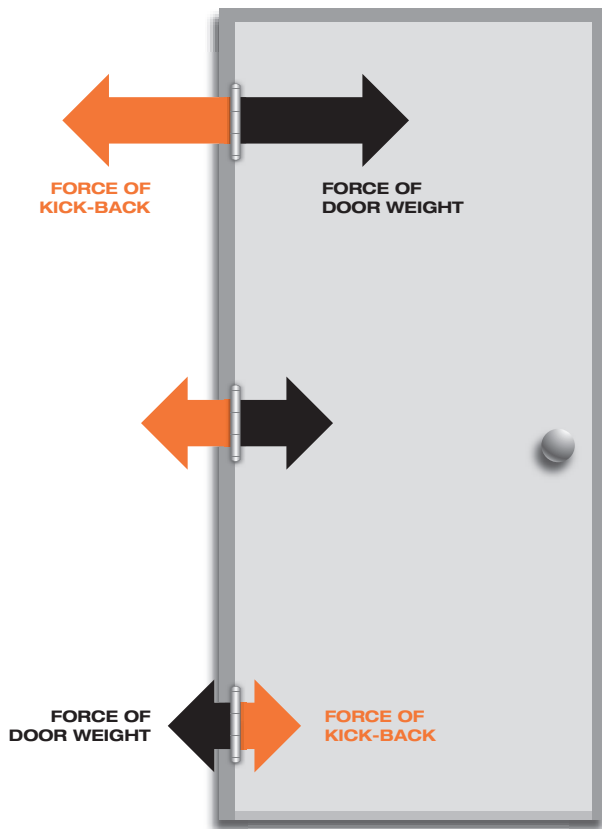


Continuous hinges

SELECT continuous hinges unite the door and frame into an integrated, sag-free unit. “Kickback” energy dissipates along the entire length of the door and frame and prevents hinge failure.

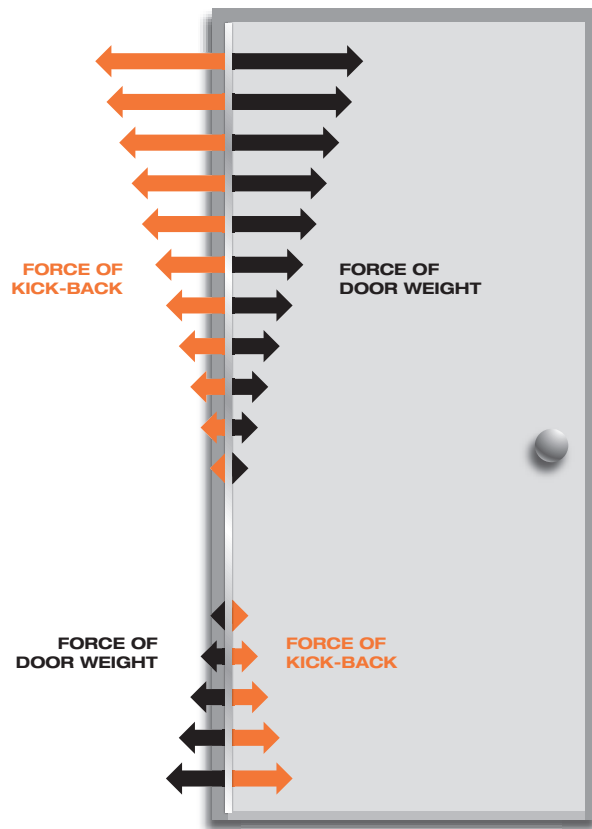


Half Surface/Half Mortise Pin & Barrel Hinges



Conventional butt hinges

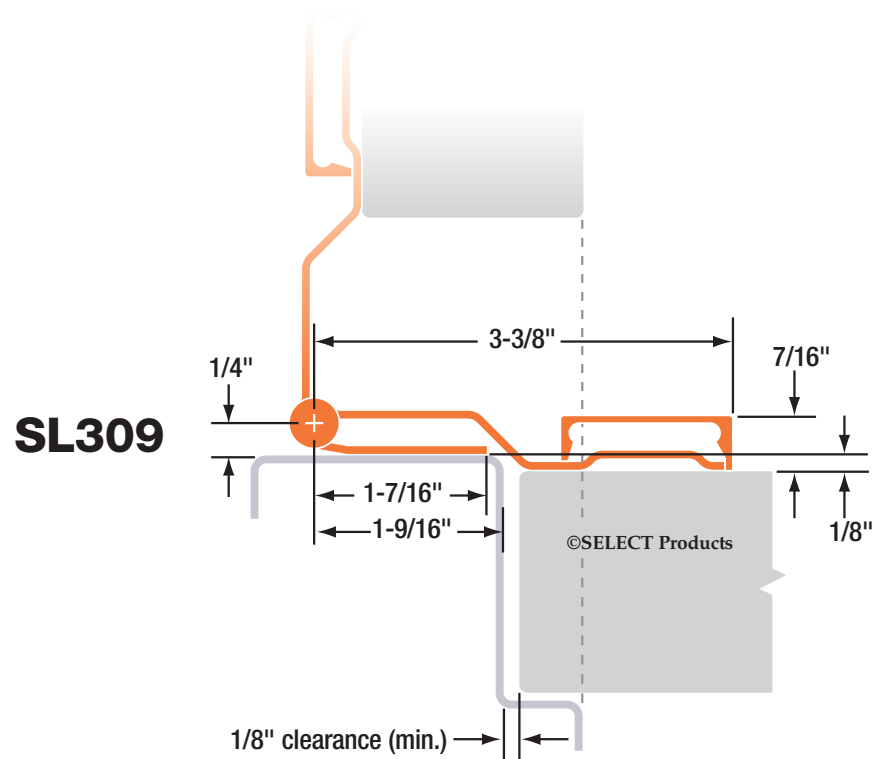
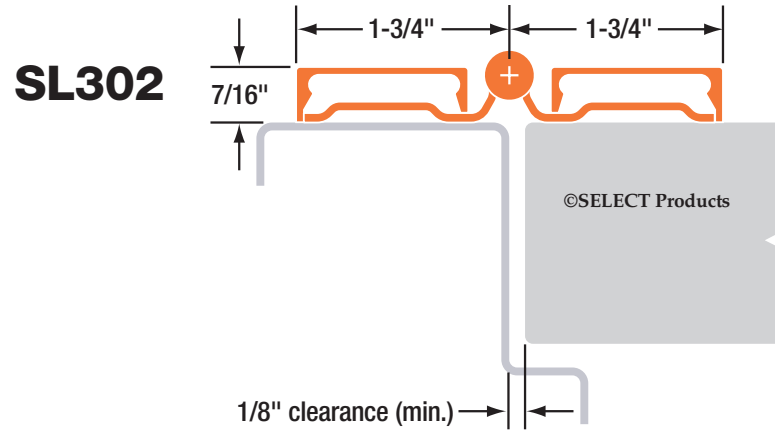
On conventional hinges, opening and "kickback" energy from closers and automatic operators concentrates on the top butt hinge. This force works against the top hinge, eventually forcing it apart or pulling it from the frame/door.



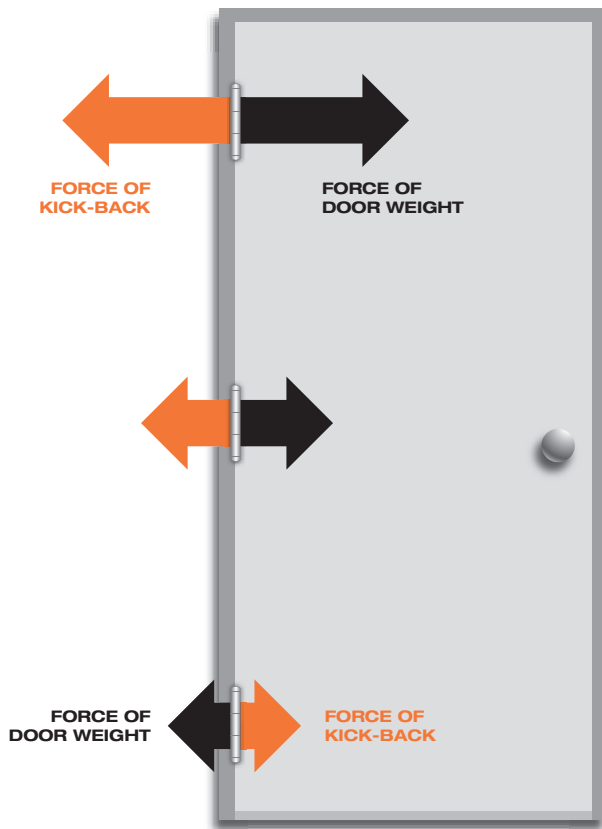
Continuous hinges

SELECT continuous hinges unite the door and frame into an integrated, sag-free unit. "Kickback" energy dissipates along the entire length of the door and frame and prevents hinge failure.

Half Surface / Half Mortise

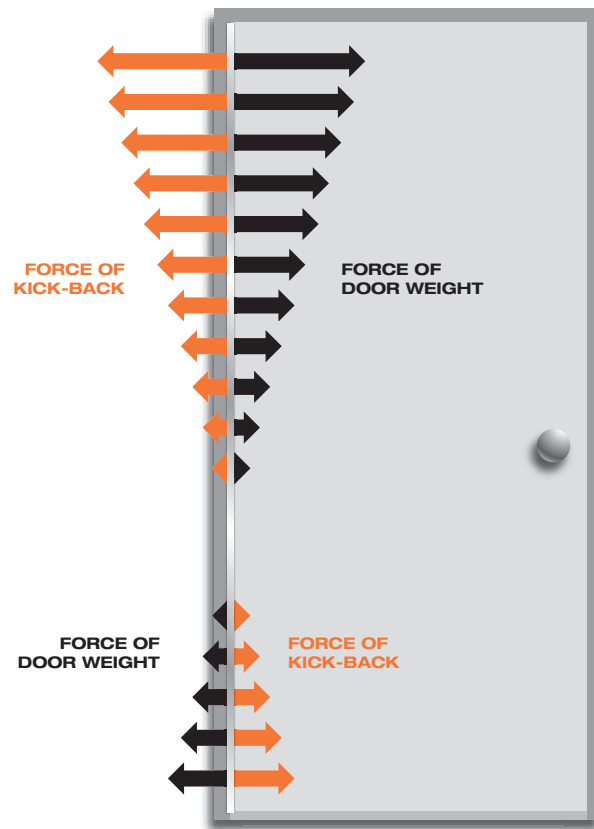


Full Surface Pin & Barrel Continuous Hinges



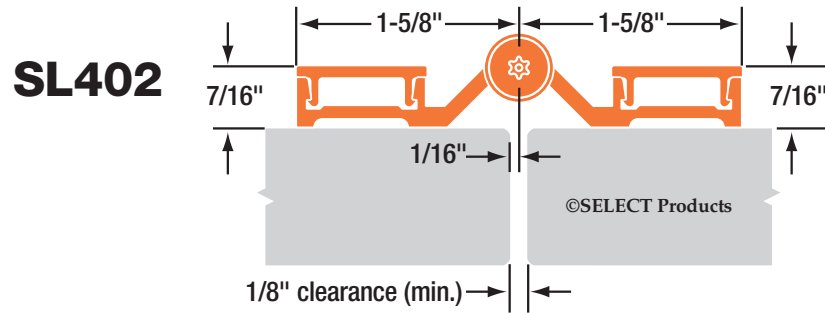
Conventional butt hinges

On conventional hinges, opening and “kickback” energy from closers and automatic operators concentrates on the top butt hinge. This force works against the top hinge, eventually forcing it apart or pulling it from the frame/door.

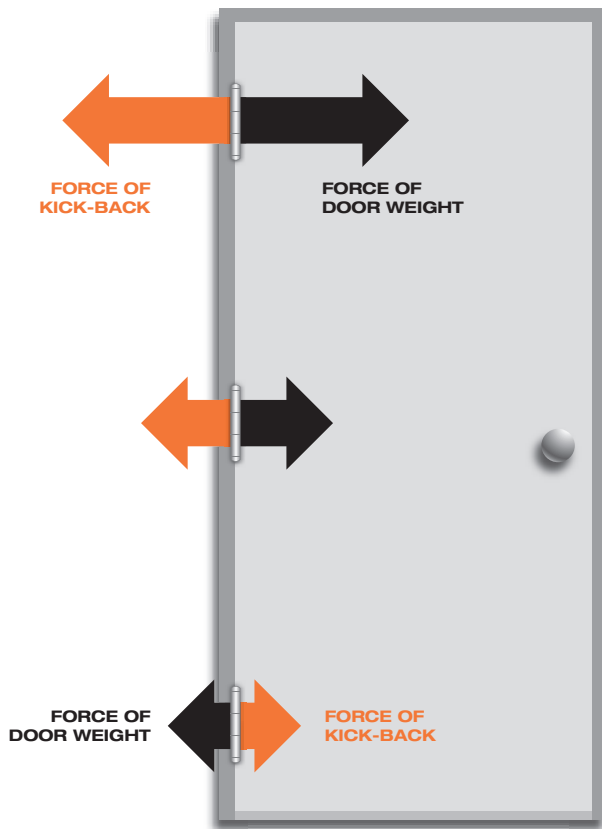


Continuous hinges

SELECT continuous hinges unite the door and frame into an integrated, sag-free unit. “Kickback” energy dissipates along the entire length of the door and frame and prevents hinge failure.

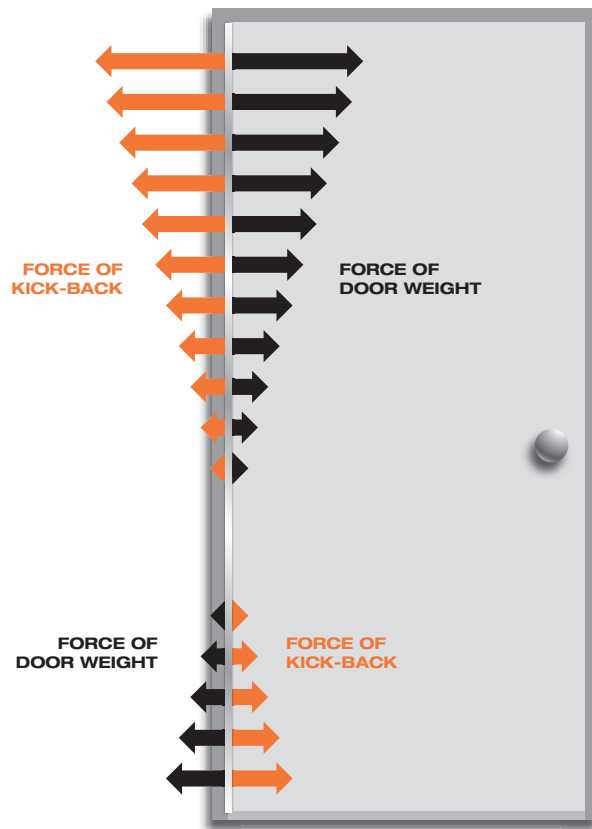


Toilet Partition Pin & Barrel Continuous Hinges



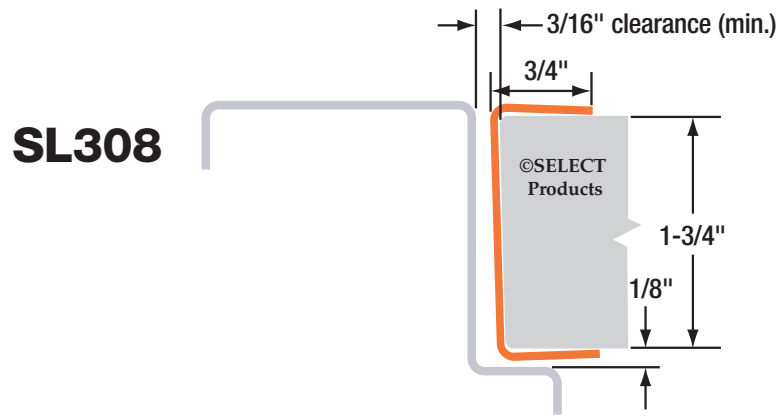
Conventional butt hinges

On conventional hinges, opening and “kickback” energy from closers and automatic operators concentrates on the top butt hinge. This force works against the top hinge, eventually forcing it apart or pulling it from the frame/door.



Continuous hinges

SELECT continuous hinges unite the door and frame into an integrated, sag-free unit. “Kickback” energy dissipates along the entire length of the door and frame and prevents hinge failure.



Edge Guard for Pin & Barrel Continuous Hinges

