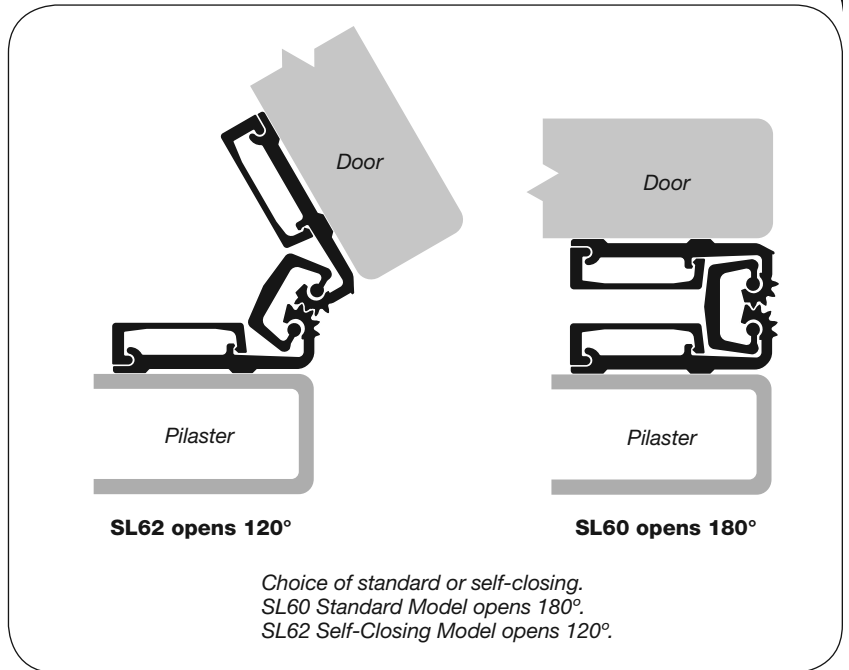
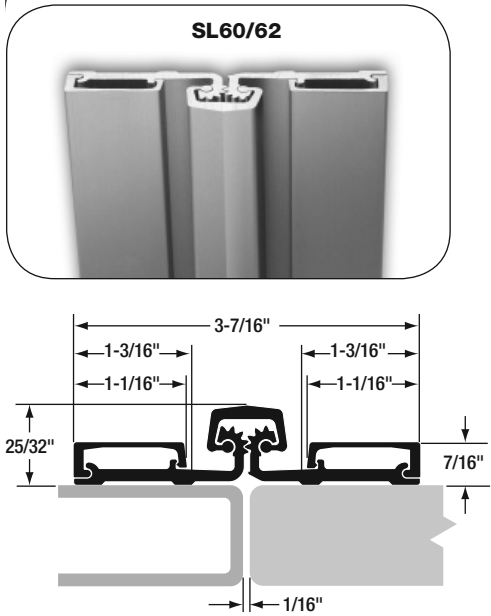


**MODELS SL60 & SL62**


## Calculating Required Door Clearances

**IMPORTANT:** All standard length SELECT hinges are supplied slightly shorter than nominal door height to avoid threshold or flooring clearance problems.

**IMPORTANT:** All uncut SL60 and SL62 hinges are non-handed and templated. Use the same hinge model for either right-hand or left-hand openings. If a door inset is required, install a continuous piece of shim under the door leaf.

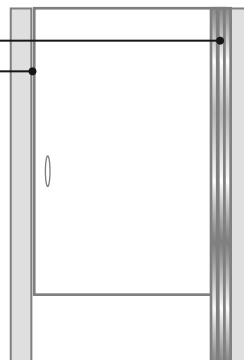
**IMPORTANT:** When installing Model SL62 Self-Closing Hinge, you must level or plumb the pilaster within + or - 1/8" to ensure complete door closure.

### TOILET PARTITION DOOR:

Hinge side clearance 1/16" – 1/4"

Latch side clearance 1/16" – 3/8"

**Total Width Clearance 1/8" – 5/8"**



### Important Warranty Information:

The following actions will void any warranty, expressed or implied:

- Failure to install the hinge according to the Installation Instructions supplied with every SELECT hinge.
- Use of fasteners other than those supplied with the hinge.
- Unauthorized field modifications, including alteration or removal of the factory-applied lubricant, altering the original finish or painting the hinge.

## Tools Needed

- Metal-cutting saw
- Measuring tape
- Drill
- 1/4" drill bit
- Transfer punch or pencil
- 5/64" Allen wrench
- Hammer, optional
- Shims, optional

## Parts Supplied

- 10-24 x 5/8" one-way barrel nuts
- Set screws

## Optional Parts

- 10-24 one-way shoulder screws available for 3/4", 1" and 1-1/4" thick partitions

Fig. 1 Hinge Installed - Door Closed Position

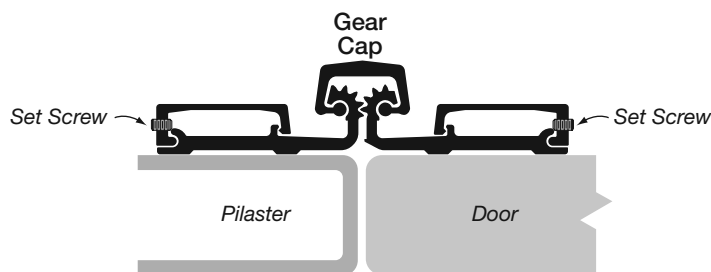
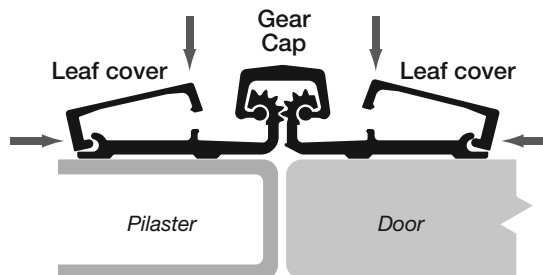


Fig. 2 Leaf Cover Installation



### If Hinge Must be Cut Shorter to Fit

- Keep hinge in the "door closed" position (Fig. 1).
- Using a metal-cutting saw, begin the cut through the hinge cap first. You will install the cut end at the bottom.
- Remove leaf covers by sliding off from uncut end of hinge.
- Reinstall any set screw bearings that were cut off.

## A. Prepare Pilaster

- Align hinge with door-side edge of the pilaster or alignment line. If replacing pivots, center the hinge between pilaster's pivot cutouts.
- Locate top hole for the barrel nut in the pilaster. Keep hinge centered between pivot cutouts. Using a pencil or transfer punch, mark the hole.

**NOTE:** Hinge leaf should overlap pilaster by 1-1/2" to 1-5/8".

- Remove hinge. Using a 1/4" bit, drill top hole in the pilaster.
- Fasten hinge leaf to top of pilaster using a barrel nut and shoulder screw.

**IMPORTANT:** DO NOT fully tighten the one-way screws.

- Square hinge to the pilaster. Locate bottom hole on the pilaster. Mark (or center punch) hole.
- Drill the hole using 1/4" bit.
- Fasten hinge leaf to bottom of the pilaster using a barrel nut and shoulder screw.

**IMPORTANT:** Do NOT fully tighten the one-way screws. Do NOT drill remaining holes at this time.

## B. Prepare Door

**NOTE:** If a door inset is required, install a continuous piece of shim under the door leaf.

- Place door back in opening. Adjust for 1/16" to 1/4" clearance between the hinge edge of the door and the pilaster. If replacing pivots, center the hinge between door's pivot cutouts.

**NOTE:** Hinge leaf should overlap the door by 1-1/2" to 1-5/8". This should leave 1/16" to 3/8" clearance on the latch side.

- Locate top hole for the barrel nut in the door. Mark (or center punch) top hole.
- Remove door from opening. Using a 1/4" bit, drill the hole.
- Fasten the hinge door leaf to the top of the door using a barrel nut and shoulder screw.

**IMPORTANT:** Do NOT fully tighten the one-way screws.

- Square the door to the opening. Then locate the bottom hole for the door hinge leaf. Mark (or center punch) the hole.
- Drill the hole using a 1/4" drill bit.
- Fasten hinge door leaf to the bottom of the door using a barrel nut and shoulder screw.

**IMPORTANT:** Do NOT fully tighten the one-way screws.

Door should be centered in the opening and square to the pilaster.

## C. Attach Door to Hinge

- Check that the door and hinge are square and function properly. Using the 1/4" bit, drill the remaining holes, through the hinge, in the pilaster and door.
- Install the remaining barrel nuts and shoulder screws. Check the door operation. If the door functions properly, fully tighten all screws.

## D. Install Leaf Covers

- Loosen set screws installed in the side of the cover with 5/64" Allen wrench.
- Align cover with top end of hinge.
- Starting at the top, apply pressure along the length of the cover, snapping it into place as you move downward (Fig. 2).

**NOTE:** Protect cover surface from damage if you use a hammer to tap it into place.

- Use 5/64" Allen wrench to securely tighten set screws.

**NOTE:** The door and pilaster covers can be removed and reinstalled.