

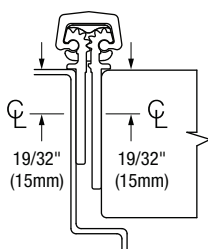
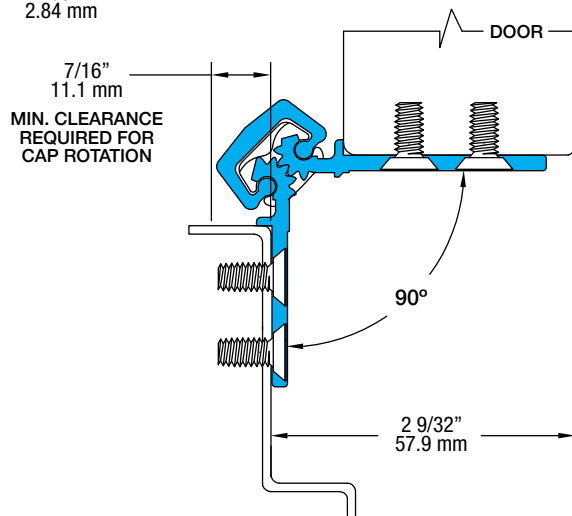
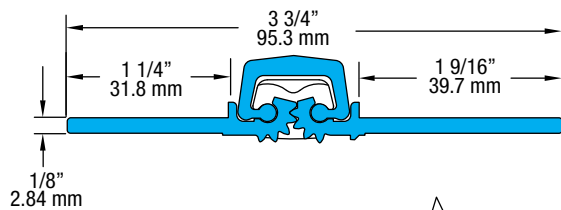
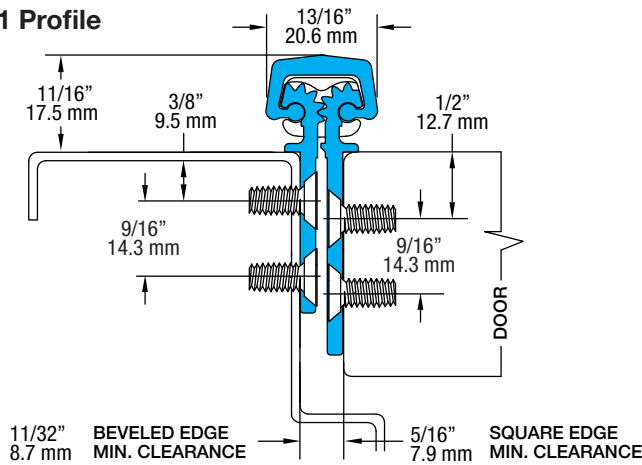
SL31 120" HD

All dimensions are measured in inches and [millimeters] from the top of the door to the centerline of the holes and ATW panels.

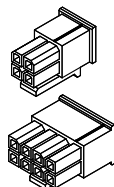
Choose location for ATW prep. ATW4 = 1 location; ATW8 = 1 location; and ATW12 = 1 location.

NOTE: For 90-degree openings, please specify at time of order for no upcharge. There will be an upcharge for 90-degree ATW cover plates when ordered separately and clear or bronze must be specified.

SL31 Profile



A 3/4" (19mm) clearance hole is required in the door and frame for the ATW wires.



4-pin and/or 8-pin connectors are supplied at the end of the 8" (203.2mm) lead.

46 fasteners / 47 bearings

HOLES	ATW LOCATIONS
1 1/2 [38.1]	0 [0.0]
3 1/2 [88.9]	
5 1/2 [139.7]	
10 [254.0]	7 15/32 [189.7]
	12 19/32 [319.9]
	15 5/32 [385.0]
20 [508.0]	17 23/32 [450.1]
	22 27/32 [580.2]
	25 13/32 [645.3]
30 [762.0]	27 31/32 [710.4]
	33 3/32 [840.6]
	35 21/32 [905.7]
40 [1016.0]	38 7/32 [970.8]
	43 11/32 [1100.9]
	45 29/32 [1166.0]
50 [1270.0]	48 15/32 [1231.1]
	53 19/32 [1361.3]
	56 5/32 [1426.4]
60 [1524.0]	
	63 27/32 [1621.6]
	66 13/32 [1686.7]
70 [1778.0]	
	74 3/32 [1882.0]
	76 21/32 [1947.1]
80 [2032.0]	
	81 25/32 [2077.2]
	84 11/32 [2142.3]
	86 29/32 [2207.4]
90 [2286.0]	
	92 1/32 [2337.6]
	94 19/32 [2402.7]
	97 5/32 [2467.8]
100 [2540.0]	
	102 9/32 [2597.9]
	104 27/32 [2663.0]
	107 13/32 [2728.1]
110 [2794.0]	
	112 17/32 [2858.3]
114 1/2 [2908.3]	
116 1/2 [2959.1]	
118 1/2 [3009.9]	
	120 [3048.0]