

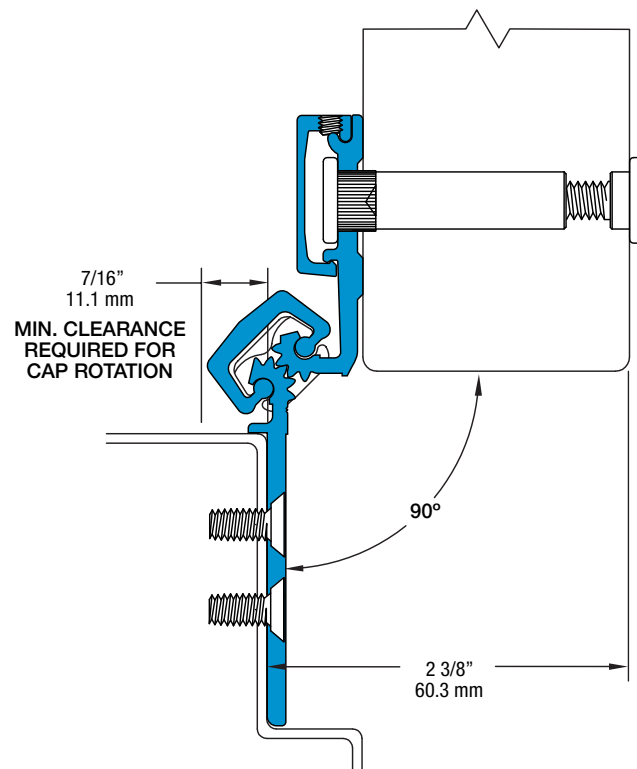
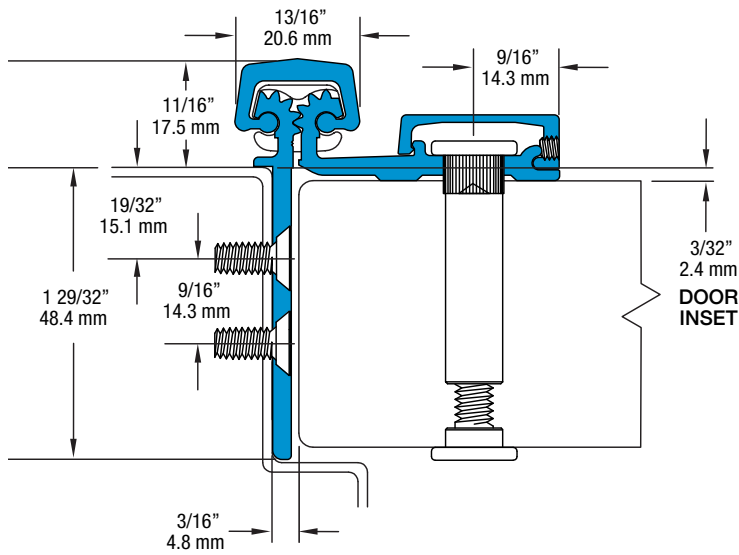
Half Surface Geared Hinges

SL54 95" HD

All dimensions are measured in inches and [millimeters] from the top of the door to the centerline of the holes.

Dimensions shown inside boxes are locator screw mounting holes.

SL54 Profile



33 fasteners / 36 bearings

FRAME LEAF HOLES

DOOR LEAF HOLES

