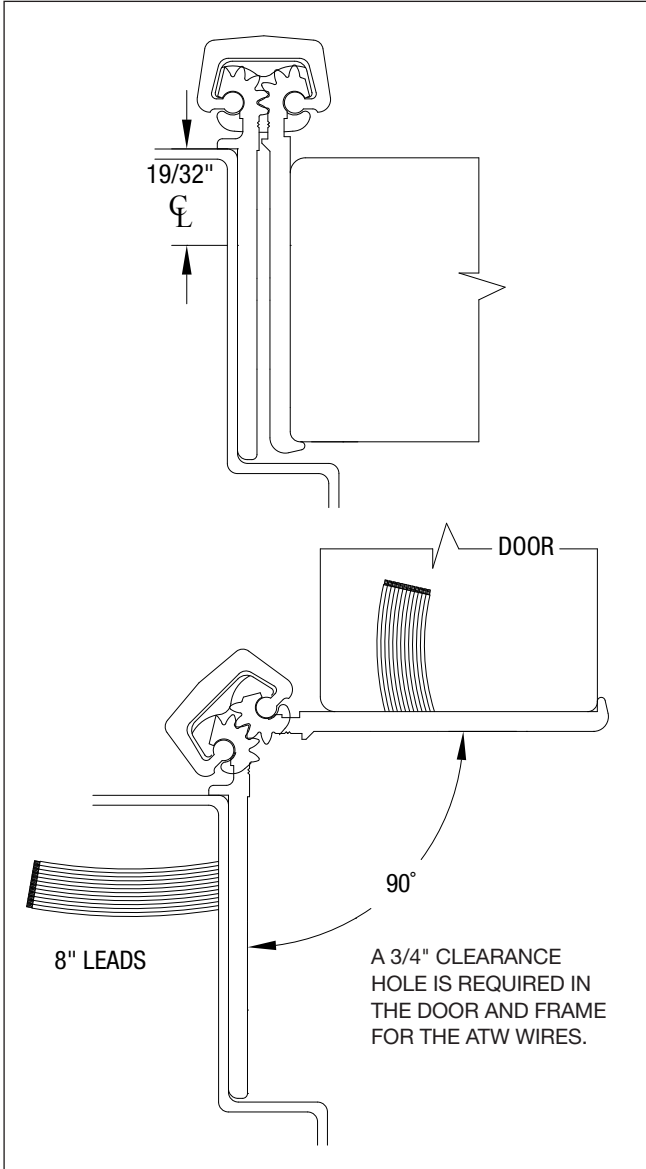


**ATWRP (4-1/4" ATW Removeable Panel)**



ATWRP PANEL



**PREP:** 4-1/4 inch panel as a retrofit option to electrify an existing concealed hinge or fix a failed electronic entryway. Through-wires available in sets of 4, 8 or 12.

Per conductor: 12V-24V AC/DC at 3-6 amps. Ultra-flexible 22 gauge wire with 8" leads per leaf. Molex® connectors included. Connecting adaptors available as an option (see Electric Prep Accessories page).

**ORDER:** Indicate "ATWRP," plus the number of wires required. Specify hinge model for which the panel is needed, and Clear (CL) or Dark Bronze (BR) finish.

*Example: ATWRP8 for SL24 CL.*

**AVAILABILITY:** Available for models SL11, SL12, SL14, SL18, SL24, SL26, SL27, SL31, SL44, SL48 and SL84.

**LEAD TIME:** 48 Hours (on most orders).

**WARRANTY:** The ATWRP has no warranty.

**IMPORTANT:** SELECT Products Limited does not recommend preparing door and frame for ATWRP before receipt of hinge. If door and frame must be prepared before receipt of hinge, contact factory for special template.

