

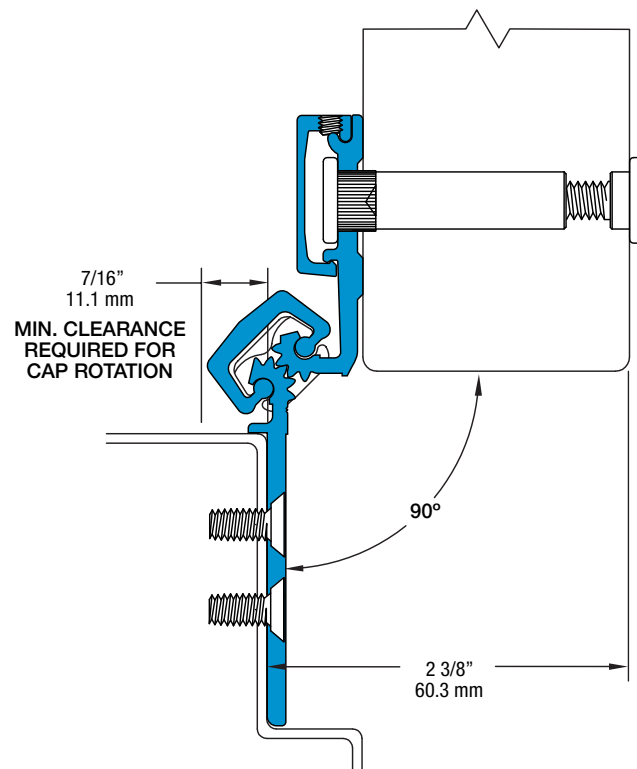
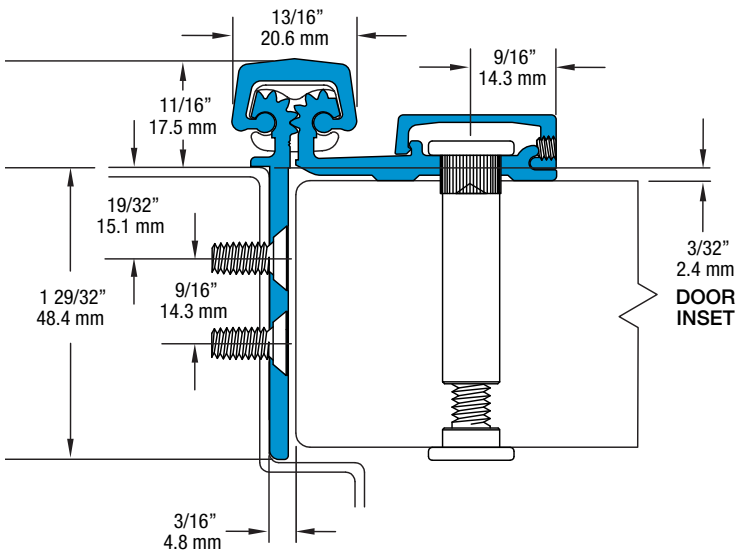
# Half Surface Geared Hinges

## SL54 120" HD

All dimensions are measured in inches and [millimeters] from the top of the door to the centerline of the holes.

Dimensions shown inside boxes are locator screw mounting holes.

### SL54 Profile



37 fasteners / 47 bearings

FRAME LEAF HOLES

DOOR LEAF HOLES

	0 [0]
1 1/2 [38.1]	1 1/2 [38.1]
3 1/2 [88.9]	3 [76.2]
5 1/2 [139.7]	7 1/2 [190.5]
10 [254.0]	
	17 1/2 [444.5]
20 [508.0]	22 1/2 [571.5]
	27 1/2 [698.5]
30 [762.0]	
	37 1/2 [952.5]
40 [1016.0]	
	47 1/2 [1206.5]
50 [1270.0]	
	57 1/2 [1460.5]
60 [1524.0]	62 1/2 [1587.5]
	72 1/2 [1841.5]
70 [1778.0]	
	82 1/2 [2095.5]
80 [2032.0]	
	92 1/2 [2349.5]
90 [2286.0]	97 1/2 [2476.5]
	102 1/2 [2603.5]
100 [2540.0]	
	112 1/2 [2857.5]
110 [2794.0]	117 [2971.8]
114 1/2 [2908.3]	
116 1/2 [2959.1]	118 1/2 [3009.9]
118 1/2 [3009.9]	120 [3048.0]